

EVAK VMO-Series 4" Submersible Motor



VMO

VMO 4" 50Hz

Feature

- > Removable waterproof cable connector
- > Non-toxic oil (FDA approved)
- > Motor casing & shaft made of SST
- > Special motor design for high starting torque & efficiency
- > Zinc-plated cast iron upper bracket
- > All motors 100% tested

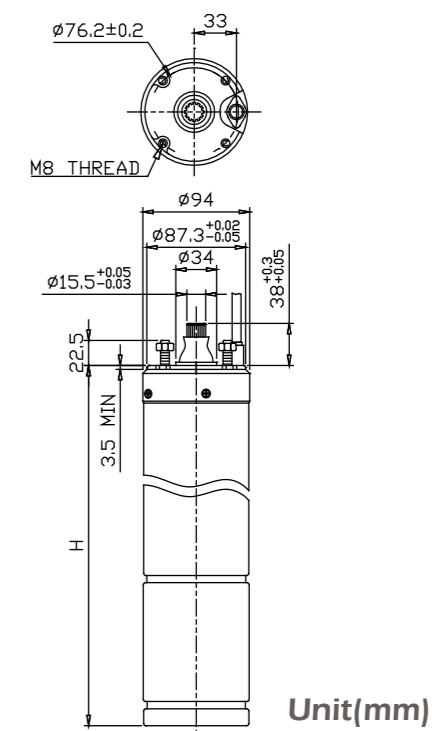
Application

- > Designed for a directly connected submersible pump for deep well.

VMO4 Dimensions And Weights

Single-Phase Motors 50HZ				
Type	P2		H	Weight
	KW	HP		
VMO4-5.05S	0.37	0.5	346	7.3
VMO4-5.07S	0.55	0.75	365	8.2
VMO4-5.10S	0.75	1	380	8.8
VMO4-5.15S	1.1	1.5	405	10.0
VMO4-5.20S	1.5	2	440	11.5
VMO4-5.30S	2.2	3	495	14.0

Three-Phase Motors 50HZ				
Type	P2		H	Weight
	KW	HP		
VMO4-5.05T	0.37	0.5	330	6.7
VMO4-5.07T	0.55	0.75	346	7.4
VMO4-5.10T	0.75	1	365	8.2
VMO4-5.15T	1.1	1.5	380	8.9
VMO4-5.20T	1.5	2	405	10.0
VMO4-5.30T	2.2	3	440	11.6
VMO4-5.40T	3	4	516	15.2
VMO4-5.55T	4	5.5	607	19.5
VMO4-5.75T	5.5	7.5	683	23.1
VMO4-5.100T	7.5	10	783	27.5



Unit(mm)

4" Oil Filled Submersible Motors

> The new development of 4" EVAK rewindable submersible motors has made a breakthrough in technology. It is a rewindable submersible motor including the characteristics of removable waterproof cable connectors for easy maintenance, an extremely long service life, good performance within wider voltage fluctuations. The components, such as mechanical seal, copper winding wires and insulations are of superior quality. All EVAK submersible motors are tested under the most stringent quality control procedures.

General Specifications

Mounting flange	4" NEMA standard
Degree of protection	IP 68
Insulation class	F
Single phase motors	0.37kw up to 3.7kw
Three phase motors	0.37kw up to 7.5kw
Standard voltages	1 Phase : 230V 3 Phase : 230V or 400V
Cable length	1.7M 0.37kw up to 1.5kw 2.5M 2.2kw up to 7.5kw

Operating Parameters

Max voltage variation	±10%
Liquid characteristics	Clear water
Max starts / h	40
Max water temperature	35°C
Flow rate	0.2m/sec
Axial thrust	2000N from 0.37kw up to 1.5kw 3000N 2.2kw 5000N from 3kw up to 7.5kw
Max immersion depth	200m

Material Specifications

Part	Material
Motor Shell	304 Stainless steel
Sand Guard	NBR
Cable Connector	EPDM
Upper end bracket cover	304 Stainless steel
Upper end bracket	Zinc plated cast iron
Mechanical seal	Ceremic/Carbon
Shaft (0.5 - 3 HP)	304 Stainless steel
Shaft (4 - 10 HP)	630 Stainless steel
Rotor (0.5 - 3 HP)	Aluminum
Rotor (4 - 10 HP)	Copper
Connector	PPS
Winding	Copper
Lower end bracket	Aluminum
Lower end bracket cover	304 Stainless steel
Diaphragm	NBR



Option : Plastic control box
For single phase(3wire)

VMO4 Selection Chart

VMO4 50Hz (Single-Phase)												
Type	P2		Voltage	In	Istart	Efficiency	PF	Nn	Thrust Load	Capacitor	Cable	
	KW	HP	V	A	A	%	%	RPM	N	μF	mm ²	m
VMO4-5.05S	0.37	0.5	230	3.7	12	53	95	2840	2000	16	1.5	1.7
VMO4-5.07S	0.55	0.75	230	5	15	62	90	2840	2000	20	1.5	1.7
VMO4-5.10S	0.75	1	230	6.2	20	64	90	2840	2000	25	1.5	1.7
VMO4-5.15S	1.1	1.5	230	8.1	32	68	90	2850	2000	35	1.5	1.7
VMO4-5.20S	1.5	2	230	10.4	38	73	90	2850	2000	40	1.5	1.7
VMO4-5.30S	2.2	3	230	15	46	72	88	2820	3000	55	1.5	2.5

VMO4 50Hz (Three-Phase)												
Type	P2		Voltage	In	Istart	Efficiency	PF	Nn	Thrust Load	Capacitor	Cable	
	KW	HP	V	A	A	%	%	RPM	N	μF	mm ²	m
VMO4-5.05T2	0.37	0.5	230	2.8	7.8	60	78	2820	2000		1.5	1.7
VMO4-5.07T2	0.55	0.75	230	3.3	11.6	64	78	2830	2000		1.5	1.7
VMO4-5.10T2	0.75	1	230	4	15	66	78	2830	2000		1.5	1.7
VMO4-5.15T2	1.1	1.5	230	5.4	21	70	84	2840	2000		1.5	1.7
VMO4-5.20T2	1.5	2	230	7	24	72	84	2840	2000		1.5	1.7
VMO4-5.30T2	2.2	3	230	9.7	38	71	83	2840	3000		1.5	2.5
VMO4-5.40T2	3	4	230	12.8	74	73	80	2850	5000		1.5	2.5
VMO4-5.55T2	4	5.5	230	17	84	75	80	2850	5000		1.5	2.5
VMO4-5.75T2	5.5	7.5	230	24	112	75	80	2850	5000		1.5	2.5
VMO4-5.05T4	0.37	0.5	400	1.6	4.5	60	78	2820	2000		1.5	1.7
VMO4-5.07T4	0.55	0.75	400	1.9	6.7	64	78	2830	2000		1.5	1.7
VMO4-5.10T4	0.75	1	400	2.3	8.9	66	78	2830	2000		1.5	1.7
VMO4-5.15T4	1.1	1.5	400	3.1	12	70	84	2840	2000		1.5	1.7
VMO4-5.20T4	1.5	2	400	4	14	72	84	2840	2000		1.5	1.7
VMO4-5.30T4	2.2	3	400	5.6	22	71	83	2840	3000		1.5	2.5
VMO4-5.40T4	3	4	400	7.4	43	73	80	2850	5000		1.5	2.5
VMO4-5.55T4	4	5.5	400	9.8	49	75	80	2855	5000		1.5	2.5
VMO4-5.75T4	5.5	7.5	400	13.7	65	75	80	2850	5000		1.5	2.5
VMO4-5.100T4	7.5	10	400	18.7	87	76	80	2850	5000		1.5	2.5

All technical information is subject to change without notice.