



www.pumps.com.tw

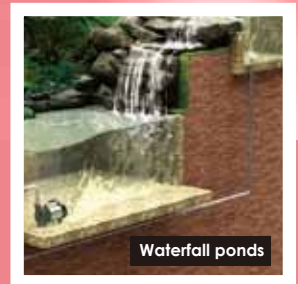
# JKH series

## 24 hours Large Flow Gardening Pumps Non-clogging Vortex type

Liquid temperature : 0 °C to 40 °C / +32 °F to +104 °F  
HP range : 1/5 to 1HP / 150 W to 750 W  
pH : 6 to 8  
Protection class : IP68  
Maximum immersion depth : 6M  
Solid pass : 6.5mm equipped with our strainers.  
For horizontal & vertical usage.



Vertical Use



Waterfall ponds



Adding OXYGEN into fish pond



Sprinkling



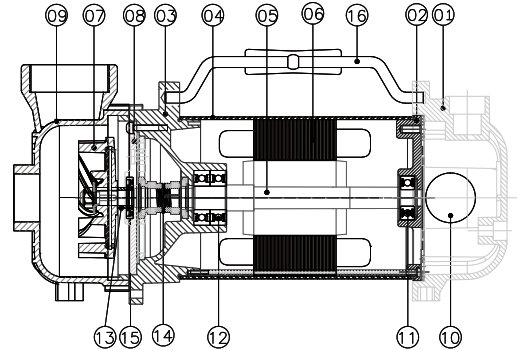
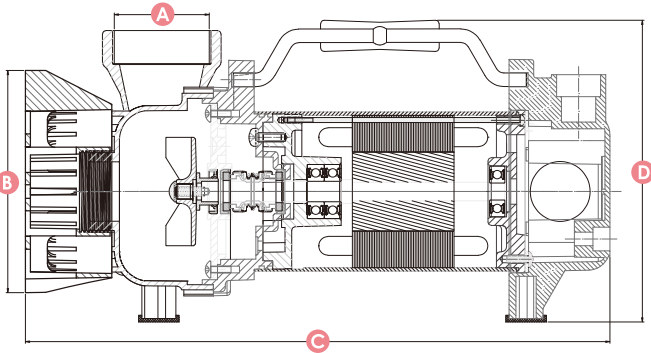
Discharge water



Filter system

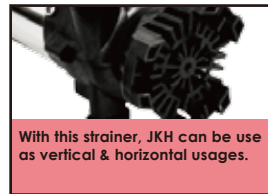
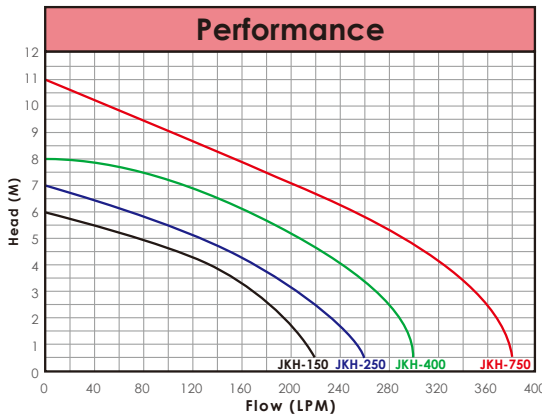
# HUNG PUMP GROUP

## Gardening Pumps



Dimension				
Model	A	B	C	D
	mm	mm	mm	mm
JKH-150	56	131	345	178
JKH-250	56	131	404	185
JKH-400	56	131	336	176
JKH-750	56	131	379	185

Construction			
No.	Description	Material for P	Material for F
1	Top Cover	NYLON + GF	
2	Upper Bearing Cover	FC200	
3	Seal Plate	NYLON + GF	FC200
4	Motor Housing	SUS304	
5	Shaft	SUS410	
6	Stator	C60	
7	Impeller	JKH-150	NYLON + GF
		JKH-250	NYLON + GF
		JKH-400	Aluminium-magnesium alloy
		JKH-750	Aluminium-magnesium alloy
8	Oil Seal Cover	NYLON + GF	FC200
9	Pump Casing	NYLON + GF	
10	Capacitor	PP	
11	Upper Bearing	JKH-150	6200LLUCM / L542(PP cover)
		JKH-250	6200LLUCM / L542(PP cover)
		JKH-400	6201LLUCM / L542(PP cover)
		JKH-750	6201LLUCM / L542(PP cover)
12	Lower Bearing	JKH-150	6201LLUCM / L542(PP cover)
		JKH-250	6201LLUCM / L542(PP cover)
		JKH-400	6203LLUCM / L542(PP cover)
		JKH-750	6203LLUCM / L542(PP cover)
13	Sleeve	SUS304	
14	Mechanical Seal	CA / CE or Sic / Sic	
15	Oil Seal	NBR	
16	Handle	SUS304 & NBR	



### Specifications

Model	Output		Outlet		Solid Pass Dia(mm)	Max Flow(LPM)	LPM Flow @ Head					Max Head(M)	Dimension L×W×H(mm)	Weight Kg
	HP	W	mm	Inch			1.5M	3M	4.5M	6M	7.5M			
JKH-150F / 150P	1/5	150	50	2"	10	220	205	170	110	-	-	6	305x152x175	5.5
JKH-250F / 150P	1/3	250	50	2"	25	260	245	205	150	70	-	7	320x152x175	6.5
JKH-400F / 150P	1/2	400	50	2"	30	300	295	270	225	165	80	8	330x162x180	8
JKH-750F / 150P	1	750	50	2"	35	380	375	350	350	255	180	11	360x162x180	11