

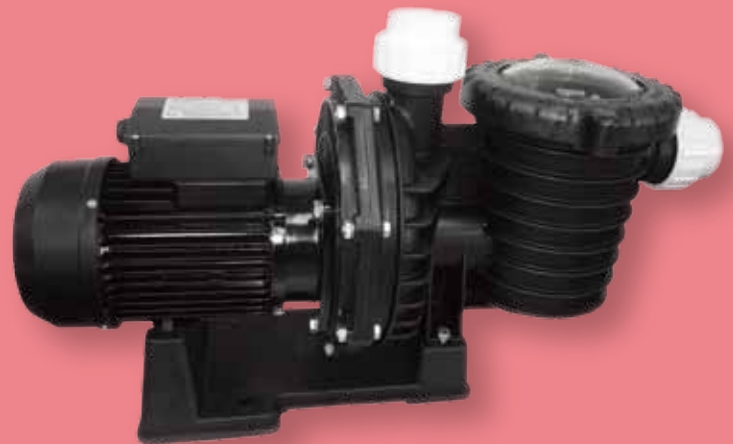
## Swimming Pool Water Recycling

Liquid temperature: 5 °C to 60 °C / +41 °F to +140 °F  
HP range: 1 to 3 HP / 750 W to 2200 W  
pH: 6 to 8  
Rated speed: 2900 rpm  
Insulation class: F class  
Protection class: IP55

SMP-20 self-priming 2.5M  
SMP-30 self-priming 2.5M



SMP-10



SMP-20/30



See through cover



Strainer is easy to clean

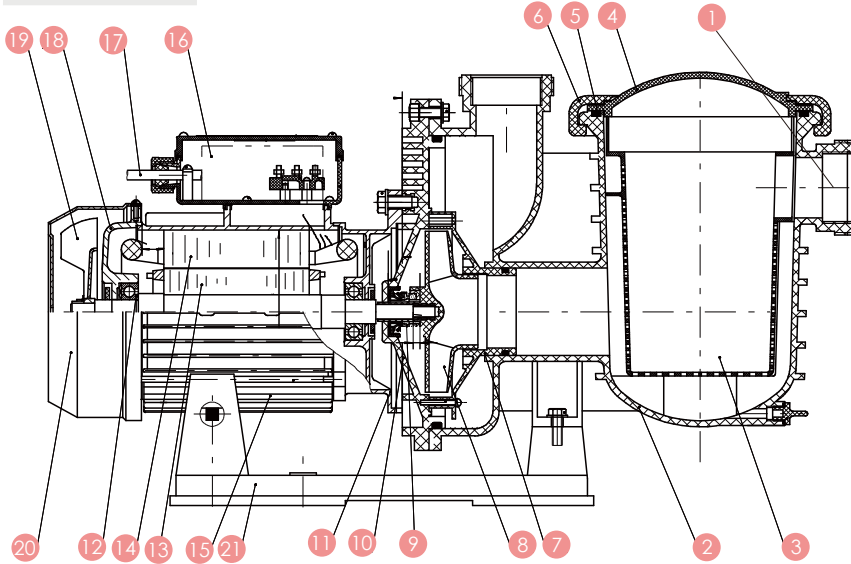


Optional sun-block casing



Discharge

Constructions

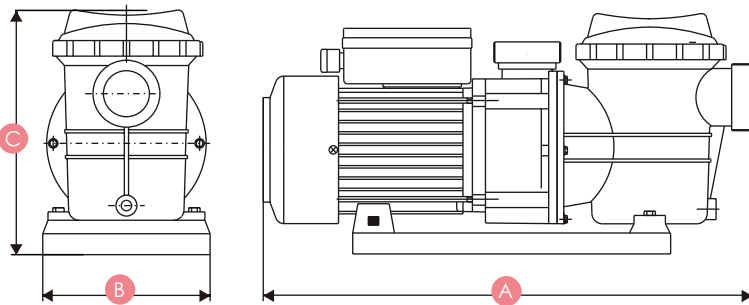


Construction					
NO	Description	Material	NO	Description	Material
1	Discharge	ABS	11	Flange	ADC12
2	Pump Cover	PP+GF	12	Bearing	
3	Filter	PP	13	Rotor	
4	Transparent Cover	PC	14	Stator	
5	O-ring	NBR	15	Motor Base	ADC12
6	Cover	ABS+GF	16	Capacitor	
7	Diffuser	PP+GF	17	Cable	
8	Impeller	PA+GF	18	Back Cover	HT200
9	Mech. Seal	Carbon/Ceramic /NBR	19	Fan	PP
10	Pump Casing	PP+GF	20	Fan Cover	ABS+PC
			21	Base	PP+GF

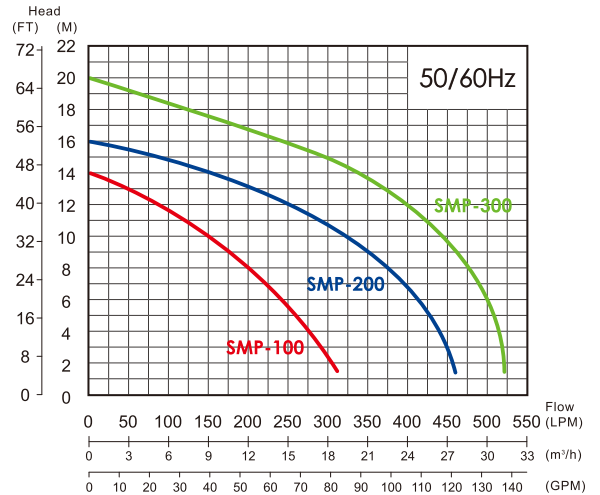
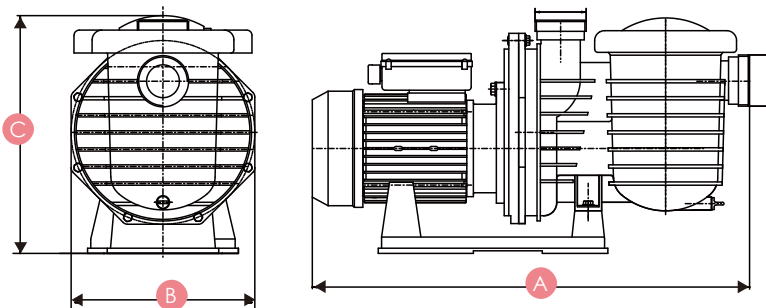
Dimension

Model	A	B	C
	mm	mm	mm
SMP-10	465	160	234
SMP-20	666	283	362
SMP-30	666	283	362

SMP-10



SMP-20/30



Specification

Model No.	Power		Outlet		Max Flow (LPM)	LPM Flow @ Head					Max Head (M)	Dimension L x W x H (mm)	Weight Kg
	HP	kW	mm	inch		3M	6M	9M	12M	15M			
SMP-10	1	0.75	40	1-1/2"	310	290	240	175	85	-	14	465 x 160 x 234	8.5
SMP-20	2	1.5	50	2"	460	450	415	350	250	100	16	666 x 283 x 362	18.5
SMP-30	3	2.2	50	2"	520	515	500	460	395	300	20	666 x 283 x 362	24.5